

OWNERS MANUAL

- ASSEMBLY
- INSTRUCTIONS
- OPERATION
- REPAIR
- SAFETY

CAUTION

Read Safety Guidelines and
Instructions Carefully

LITTLE GIANT MACHINE TOOL COOLANTS are carefully packaged, inspected and tested to insure safe operation and delivery. When you receive the unit, examine it carefully to determine that there are no broken or damaged parts that may have occurred during shipment. If damage has occurred, make notation and then notify the firm from which you purchased the unit. They will assist you in replacement or repair if required.

SAFETY GUIDELINES

1. Read all instructions and safety guidelines thoroughly. Failure to follow the guidelines and instructions could result in serious bodily injury and/or property damage.
2. Do not pump flammable liquids such as gasoline or fuel oil with Little Giant pumps.
3. When working on the MACHINE TOOL COOLANT or pump, make sure that the power is turned off. Make sure that the pump is disconnected from the power supply.
4. Make sure that the outlet for the pump is grounded.

MACHINE TOOL COOLANT PUMP ASSEMBLY

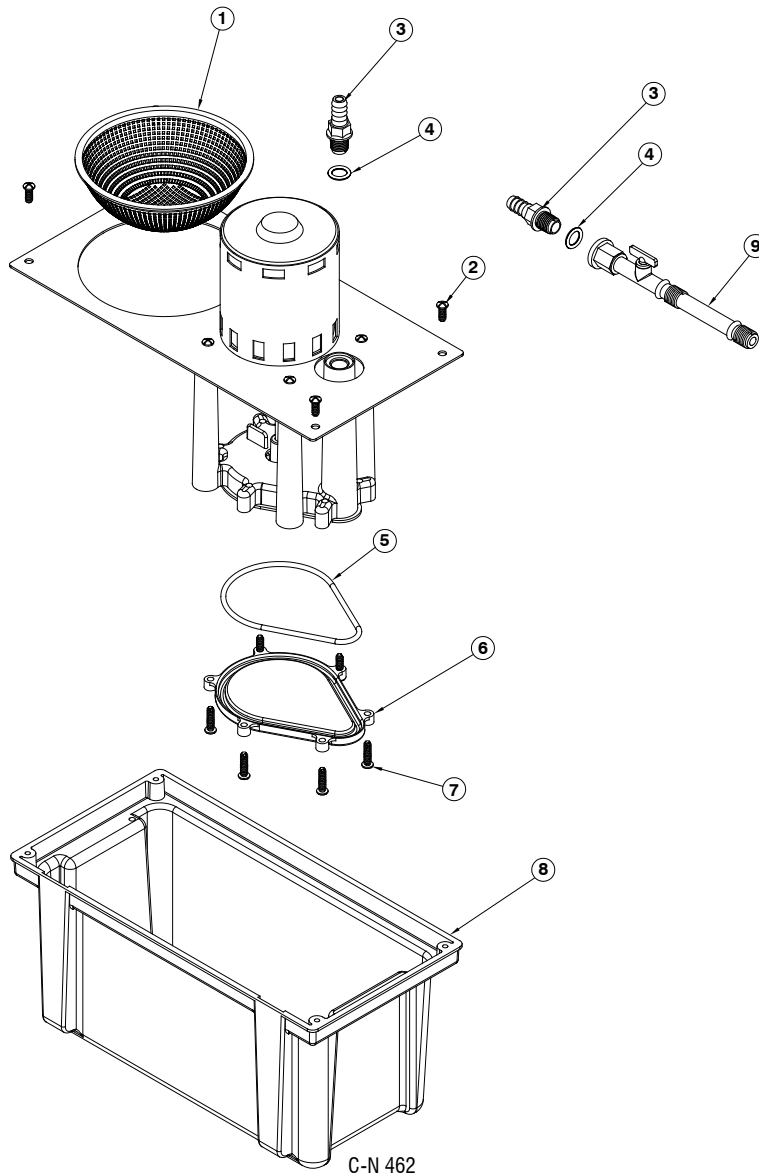
1. Unpack **MACHINE TOOL COOLANT** from the carton. Check the parts included with the diagram in this instruction sheet for parts.
2. Assembly:
 - A. Attach tube to pump discharge. Attach flexible nozzle/valve assembly to the other end of flexible tubing.
 - B. Be sure chip collector is in place.
 - C. Your **MACHINE TOOL COOLANT** is now ready for operation. If any leakage occurs, tighten the leaking connection.

MAINTENANCE

Never let sludge or excessive chips build up around pump. Periodically clear out the chip collector and any sludge that may accumulate in the bottom of the tank. The chip collector is designed to filter out abrasive media that may damage the pump.

Never operate **MACHINE TOOL COOLANT** without chip collector.

Do not use cutting oils with viscosities greater than the pump can handle.



C-N 462

Item No.	P/N	Description	Qty.
1	160206	Screen, Chip	1
2	902436	Screw, Tapping, 8-18 X 1/2 BT, Phillips, Pan, Zinc Plated Stl.	4
3	153300	Adaptor, Tubing 3/8 X 1/4 MNPT, Acetal	2
4	924018	O-ring, Nitrile, .424 ID X .103, 2-111	2
5	924038	O-ring, Nitrile, 3.484 ID X .139, 2-238	1
6	160421	Cover, Volute, VMC-1, Nylon	1
7	902434	Screw, Tapping, 8-18 X 3/4 BT, Phillips, Pan, 303 SST	6
8	153504	Tank, VMC, Polypropylene, DK. Blue	1
9	170387	Valve, Flow Control, WG Series, Black, Polyethylene	1
10	944302	Tubing, Vinyl, Coil, 3/8 ID X 20' (Not SHOWN)	1

LIMITED WARRANTY

THIS WARRANTY SETS FORTH THE COMPANY'S SOLE OBLIGATION AND PURCHASER'S EXCLUSIVE REMEDY FOR DEFECTIVE PRODUCT.

Franklin Electric Company, Inc. and its subsidiaries (hereafter "the Company") warrants that the products accompanied by this warranty are free from defects in materials or workmanship of the Company that exist at the time of sale by the Company and which occur or exist within the applicable warranty period. Any distributor, sub-distributor, recipient, end-user and/or consumer agrees that by accepting the receipt of the products, the distributor, sub-distributor, recipient, end user and/or consumer expressly agrees to be bound by the terms of the warranty set forth herein.

I. APPLICABLE WARRANTY PERIOD

The products accompanied by this warranty shall be covered by this Limited Warranty for a period of 12 months from the date of original purchase by the consumer. In the absence of suitable proof of purchase date, the warranty period of this product will begin to run on the product's date of manufacture.

II. INSTRUCTIONS APPLICABLE TO THIS LIMITED WARRANTY

1. Consumers wishing to submit a warranty claim must return the products accompanied by this warranty to the point of purchase for warranty consideration.
2. Upon discovery of a defect, any personal injury, property damage or any other type of resulting damage, if applicable, shall be reasonably mitigated to the extent possible.
3. At its discretion, the Company may inspect products either at its facilities, or in the field, and after determination of a warranty claim, will, at its option, repair or replace defective parts. Repaired or replaced parts will be returned freight prepaid by the Company.
4. This warranty policy does not cover any labor or shipping charges. The Company shall not be liable for any costs or charges attributable to any product testing, maintenance, installation, repair or removal, or for any tools, supplies, or equipment needed to install, repair, or remove any product.

III. LIMITATIONS APPLICABLE TO THIS LIMITED WARRANTY

THIS WARRANTY DOES NOT APPLY TO ANY OF THE FOLLOWING:

1. Brushes, impeller or cam on models with brush-type motors and/or flex-vane impellers.
2. Any product that is not installed, applied, maintained and used in accordance with the Company's published instructions, applicable codes, applicable ordinances and/or with generally accepted industry standards.
3. Any product that has been subject to misuse, misapplication, neglect, alteration, accident, abuse, tampering, acts of God (including lightning), acts of terrorism, acts of war, fire, improper storage or installation, improper use, improper maintenance or repair, damage or casualty, or to an excess of the recommended maximums as set forth in the product instructions.
4. Any product that is operated with any accessory, equipment, component, or part not specifically approved by the Company.
5. Use of replacement parts not sold by the Company, the unauthorized addition of non-Company products to other Company products, and the unauthorized alteration of Company products.
6. Products damaged by normal wear and tear, normal maintenance services and the parts used in connection with such service, or any other conditions beyond the control of the Company.
7. Any product that has been used for purposes other than those for which it was designed and manufactured.
8. Any use of the product where installation instructions and/or instructions for use were not followed.
9. Products connected to voltage other than indicated on nameplate.
10. Products where the pump was exposed to any of the following: sand, gravel, cement, grease, plaster, mud, tar, hydrocarbons, hydrocarbon derivatives (oil, gasoline, solvents, etc.) or other abrasive or corrosive substances.
11. Products in which the pump has been used to pump or circulate anything other than fresh water at room temperature.
12. Products in which the pump was allowed to operate dry (fluid supply cut off).
13. Products in which the sealed motor housing has been opened or the product has been otherwise dismantled by customer.
14. Products in which the cord has been cut to a length of less than three feet.

The Company reserves the right at any time, and from time to time, to make changes in the design and/or improvements upon its product without thereby imposing any obligation upon itself to make corresponding changes or improvements in or upon its products already manufactured and/or previously sold. The Company further reserves the right to substitute parts or components of substantially equal quality in any warranty service required by operation of this Limited Warranty.

This written Limited Warranty is the entire warranty authorized and offered by the Company. There are no warranties or representations beyond those expressed in this document.

THIS WARRANTY AND REMEDY IS IN LIEU OF ALL OTHER WARRANTIES AND REMEDIES INCLUDING WITHOUT LIMITATION, WARRANTIES OF MERCHANTABILITY AND/OR FITNESS FOR A PARTICULAR PURPOSE, WHICH ARE HEREBY SPECIFICALLY DISCLAIMED AND EXPRESSLY EXCLUDED. CORRECTION OF NON-CONFORMITIES, IN THE MANNER AND FOR THE PERIOD OF TIME AS SET FORTH ABOVE, SHALL CONSTITUTE FULFILLMENT OF ALL LIABILITY OF THE COMPANY TO THE PURCHASER WHETHER BASED ON CONTRACT, NEGLIGENCE, OR OTHERWISE.

THE COMPANY SHALL NOT BE LIABLE FOR INCIDENTAL, CONSEQUENTIAL OR SPECIAL DAMAGES SUCH AS, BUT NOT LIMITED TO:

DAMAGE TO OR LOSS OF OTHER PROPERTY OR EQUIPMENT, LOSS OF USE OF EQUIPMENT, FACILITIES OR SERVICE, LOSS OF PROFIT OR SALES, COST OF PURCHASES OR REPLACEMENT GOODS, CLAIMS OF CUSTOMERS OF THE PURCHASER, FAILURE TO WARN AND/OR INSTRUCT, LOSS OF OTHER PRODUCTS, OR COSTS OF ENVIRONMENTAL REMEDIATION, OR DIMINUTION IN PROPERTY VALUE. THE REMEDIES OF THE PURCHASER SET FORTH HEREIN ARE EXCLUSIVE, AND THE LIABILITY OF THE COMPANY SHALL NOT, EXCEPT AS EXPRESSLY PROVIDED HEREIN, EXCEED THE PRICE OF THE PRODUCTS UPON WHICH SUCH LIABILITY IS BASED. DAMAGES AS SET FORTH IN THIS PARAGRAPH SHALL BE REASONABLY MITIGATED TO THE EXTENT POSSIBLE. THIS PARAGRAPH SHALL ALSO APPLY TO ALL DAMAGES RESULTING FROM CONDITIONS SET FORTH IN SECTION III ABOVE AND (1) DEFECTS IN PRODUCT PROTOTYPES OR REPLACEMENT PART PROTOTYPES THAT HAVE NOT BEEN PUT INTO PRODUCTION, CIRCULATED AND SOLD BY THE COMPANY, AND/OR (2) DEFECTS THAT WERE NOT FOUND AT THE TIME OF SALE DUE TO SCIENTIFIC AND TECHNOLOGICAL REASONS.

This Limited Warranty gives you specific legal rights. You may have other rights, which vary according to the applicable laws and regulations. Where any term of this warranty is prohibited by such laws, it shall be null and void, but the remainder of this warranty shall remain in full force and effect.

DISCLAIMER: Any oral statements about the product made by the seller, the Company, the representatives or any other parties, do not constitute warranties, shall not be relied upon by the user, and are not part of the contract for sale. Seller's and the Company's only obligation, and buyer's only remedy, shall be the replacement and/or repair by the Company of the product as described above. Before using, the user shall determine the suitability of the product for his intended use, and user assumes all risk and liability whatsoever in connection therewith.

KEEP THIS FOLDER

File this for safe keeping. It may be valuable to you for service under the terms of the warranty.

Date of Purchase _____ Dealer Name _____

For technical assistance, please contact 800.701.7894

www.LittleGiantPump.com

CustomerService@lgpc.com